

ESCORT - DECOWOOD & ANODISED ROUND HANDRAILS - DIAMETER 40 MM

BACTERICIDAL JOINT

APPLICATIONS

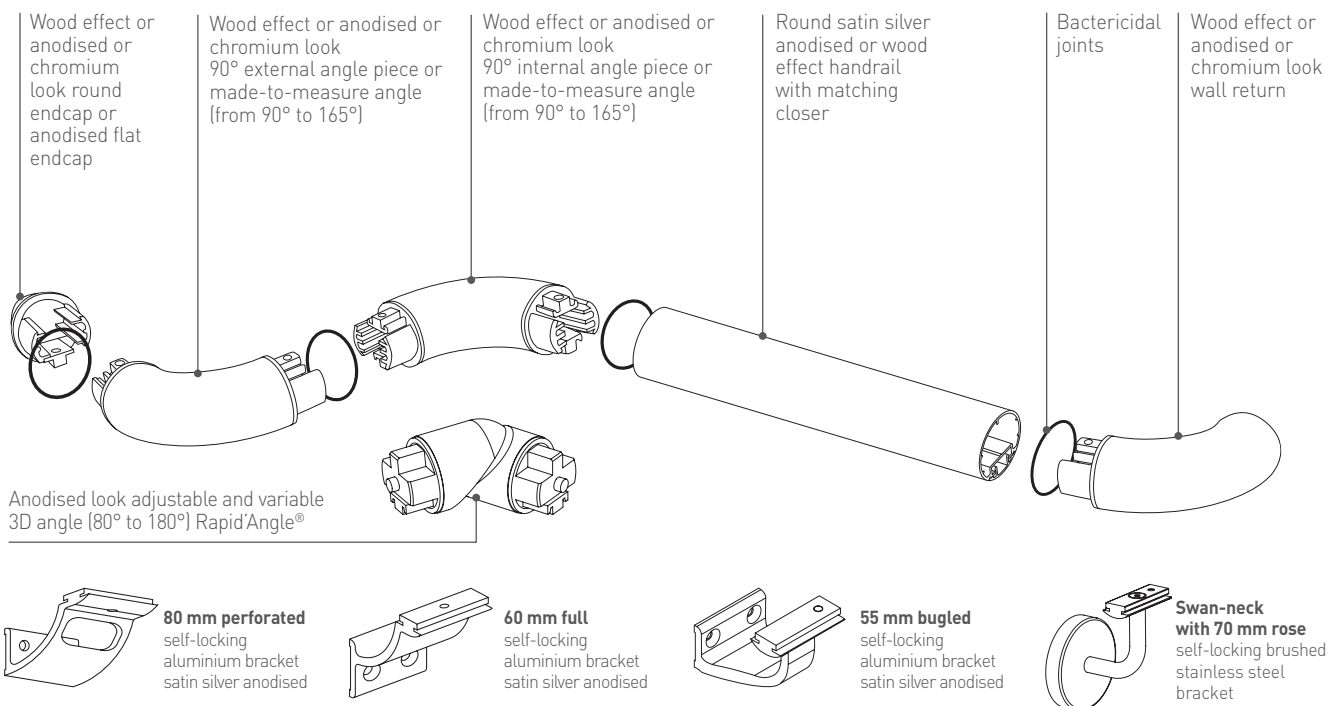
Particularly elegant handrails with a wood effect or satin silver anodised aluminium finish and curved, unobtrusive brackets. They are ideal for all buildings open to the public: corridors and stairways in retirement homes, schools, hotels, residential apartment buildings, offices, etc.

Escort can be bent for curved sections. A removable system is available to provide continuation of the handrail in front of service ducts.

They are fitted with bactericidal joints (refer to page 102).

SPECIFICATION

- Description: round wood effect handrail (Escort – Decowood as manufactured by SPM) or satin silver anodised aluminium (Escort – Anodised as manufactured by SPM) with a diameter of 40 mm. Overall projection is 80 mm (or 90 mm on request). It consists of a 1.5 mm thick continuous aluminium profile covered with a wood decor PVC film (Decowood) or 10 micron satin silver anodised (Anodised) and a matching closer underneath. The section comprises a groove into which brackets and matching closer slide and lock. Wall fixing is by 40 mm deep satin silver anodised aluminium brackets curved and perforated (80 mm wide), curved and full (60 mm wide) or bugled (55 mm wide). Wall fixing is also available by swan-neck with 70 mm rose brackets, in brushed stainless steel, 3 point self-locking. Various smooth and antibacterial PVC accessories (round or flat endcaps, external and internal 90° angle pieces or made-to-measure from 90 to 165°, wall returns), supplied with bactericidal joints, are available in wood effect or anodised look or chromium look to finish the handrail assembly and are sleeved into the profile. All technical solutions are available to ensure continuity around corners (90° or made-to-measure), in staircases (slope link or 3-way "universal joint" rotation angle –Rapid'Angle® as manufactured by SPM-), across service ducts (quick removable assembly wedge or articulated link –Rapid'Access® as manufactured by SPM-) and around curved sections (pre-curved in the factory).
- Environment: no heavy metals and no substance potentially subjected to any REACH restriction are used in its manufacture, nor PBT/BPA. The calcium-zinc thermal stabilisation process is used. The emission level of volatile substance in inside air has been tested according to ISO 16000-6 and is very low (A+) according to the French regulation (23 March 2011 nr 2011-321 Decree and 19 April 2011 Order). 100% of the product are recyclable.
- Colour: selected by architects from manufacturer's standard range.
- Installation method: upper edge of section 0.90 m max. above floor level. Fixes to 2-point or 3-point self-locking brackets, depending on the model, screwed to the wall at 1.20 m centres (0.80 m centres in heavy traffic corridors and on light partitions like plasterboard). Wall returns, endcaps and angles to be fixed with 2.5 mm Allen clamping screws.



Escort - Decowood
| 3 finishes for accessories



Escort-Decowood
| 6 wood decors



Escort Anodised



Colours available per product: please see the colour summary hinge

ESCORT
DECOWOOD & ANODISED

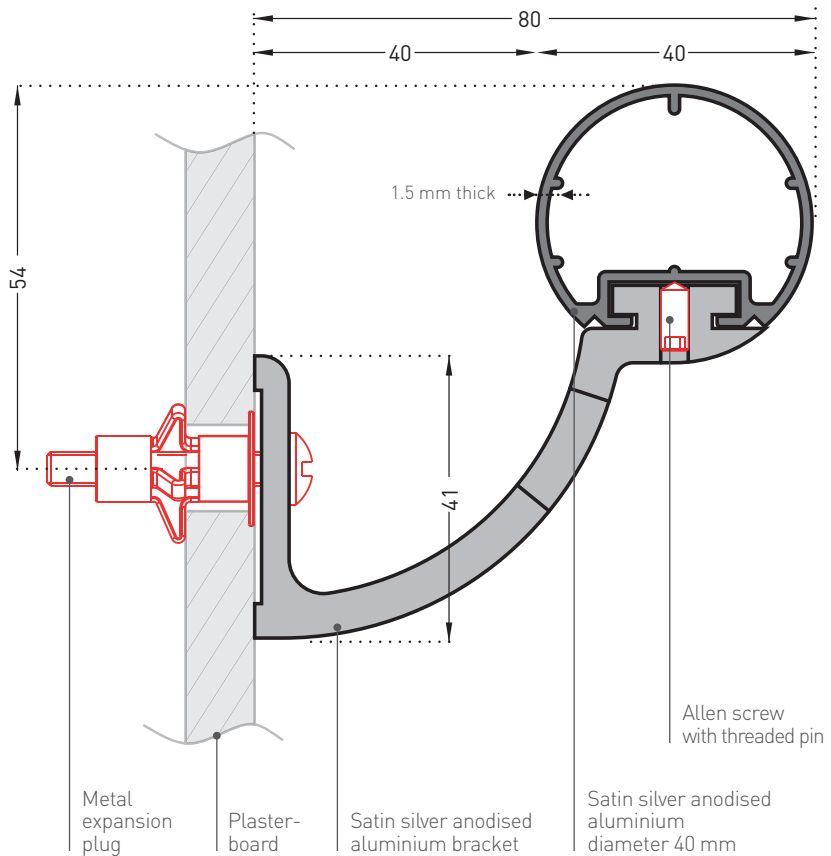


DESCRIPTION

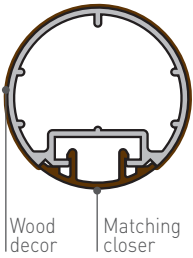
- Model: Escort - Decowood or Escort - Anodised round handrail
- Diameter: 40 mm
- Length: 4 m
- Overall projection: 80 mm (or 90 mm on request)
- Stand-off from wall: 40 mm (or 50 mm on request)
- Material: 10 micron satin silver anodised aluminium or wood effect PVC, bactericidal joint
- Fixing: on self-locking brackets
 - perforated, bugled or full, 2-point fixing in satin silver anodised aluminium
 - swan-neck with 70 mm rose, 3 point fixing in brushed stainless steel screwed to wall at 1.20 m centres (0.80 m centres in heavy traffic areas and on light partitions like plasterboard)
- Colours:
 - 6 wood decors for Escort - Decowood
 - satin silver anodised for Escort - Anodised
 - coating on request



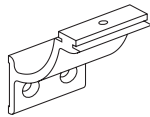
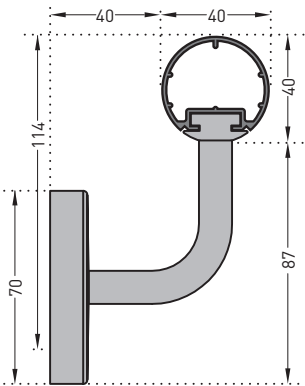
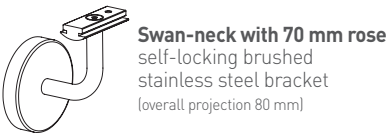
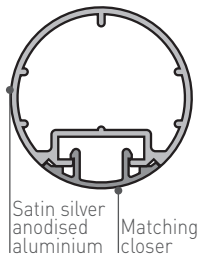
80 mm perforated
self-locking aluminium bracket satin silver anodised
(overall projection 80 mm)



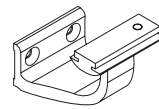
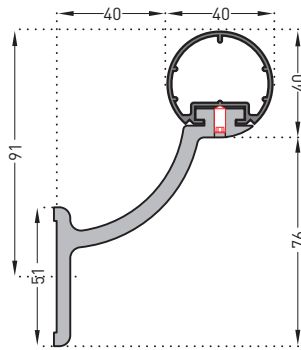
ESCORT
DECOWOOD



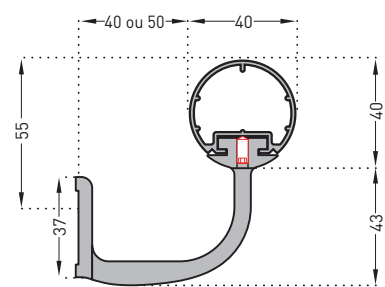
ESCORT
ANODISED



60 mm full
self-locking aluminium bracket
satin silver anodised
(overall projection 80 mm)



55 mm bugled
self-locking aluminium bracket satin silver anodised
(overall projection 80 mm or 90 mm on request)



Specifications and section drawings on our website www.spm-international.com



bimobject BimObject in Revit and Archicad